



www.FGWilson.com

CAL Modular Acoustic Enclosure

30 – 220 kVA

The compact modular design of the 30 – 220 kVA CAL enclosure ensures optimum performance in the harshest of environments. Designed on modular principles, they have interchangeable components permitting on-site repair. Lift off doors and access panels provide optimal service and maintenance access.

Extremely durable and robust, the enclosures are designed to resist corrosion and handling damage with the ability to withstand rough handling common on many construction sites.

Durable and Robust Construction

- High grade steel protected by powder coat paint
- Black finish stainless steel locks and hinges
- Zinc plated / stainless steel fasteners
- Optional galvanised steel protected by powder coat paint

Security and Safety

- Control panel viewing via large viewing window in lockable enclosure door
- Emergency stop push button mounted on enclosure exterior below control panel
- Cooling fan and battery charging alternator fully guarded
- Fuel fill and battery can only be reached via lockable access doors
- Fully enclosed exhaust silencing system for operator safety



Developed through continuing research and development by our specialist engineers, all FG Wilson enclosures are fully weatherproof and incorporate internally mounted exhaust silencers.

The sound attenuated CAL enclosures reduce sound levels to comply with the stage II levels of the European Community Directive 2000/14/EC, effective from 3 January 2006 (P26-3S to P165-3).

Excellent Service and Maintenance Access

- Side hinged doors on both sides of the enclosure opening to 180°
- Side hinged doors lift off at 90°
- Removable front and rear access panels
- Lube oil and coolant drain valves

Transportability

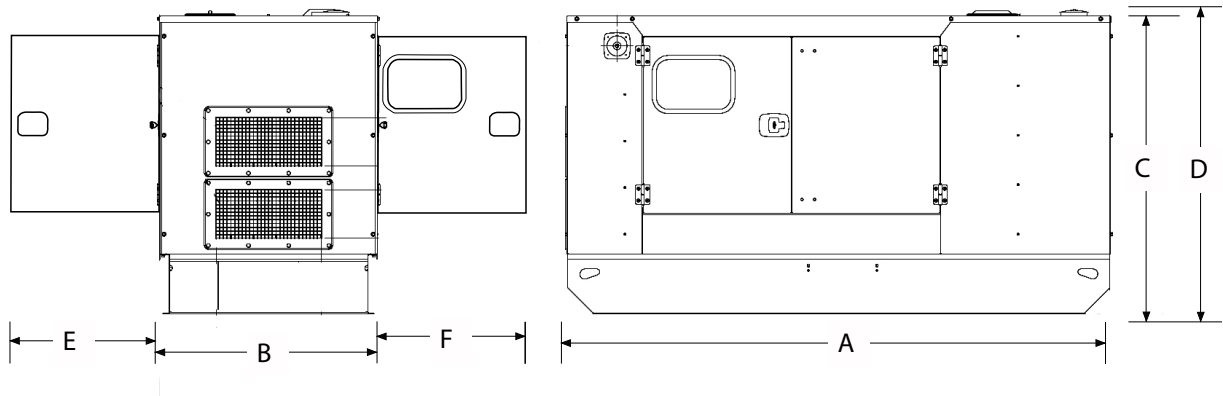
- Lifting points on base frame facilitating handling from both sides

Sound Pressure Levels (dBA)

		50 Hz @ 1500 RPM						60 Hz @ 1800 RPM					
		15m (50 ft)		7m (23 ft)		1m (3 ft)		15m (50 ft)		7m (23 ft)		1m (3 ft)	
Generator Set Model		75% Load	100% Load	75% Load	100% Load	75% Load	100% Load	75% Load	100% Load	75% Load	100% Load	75% Load	100% Load
Single Phase Models													
P40-3S	Prime	56.1	57.0	62.1	63.0	73.7	74.8	59.5	61.2	65.5	67.2	78.2	80.2
	Standby	56.4	57.5	62.4	63.5	74.0	75.3	60.1	62.1	66.1	68.1	78.9	81.4
P50-5S	Prime	57.0	58.7	63.0	64.7	74.8	76.7	61.4	64.2	67.4	70.2	80.5	84.0
	Standby	57.3	59.4	63.3	65.4	75.2	77.5	62.1	65.4	68.1	71.4	81.4	85.5
P80-3S	Prime	65.3	66.0	71.3	72.0	81.8	82.4	65.7	66.7	71.7	72.7	81.9	82.4
	Standby	65.5	66.3	71.5	72.3	82.0	82.7	66.0	67.2	72.0	73.2	82.1	82.7
3 Phase Models													
P33-3	Prime	61.0	62.4	67.0	68.4	77.7	79.1	62.2	63.1	68.2	69.1	79.4	80.8
	Standby	61.4	63.1	67.4	69.1	78.1	79.8	62.4	63.6	68.4	69.6	79.8	81.4
P50-3	Prime	56.1	57.0	62.1	63.0	73.7	74.8	59.5	61.2	65.5	67.2	78.2	80.2
	Standby	56.4	57.5	62.4	63.5	74.0	75.3	60.1	62.1	66.1	68.1	78.9	81.4
P55-3	Prime	56.4	57.5	62.4	63.5	74.0	75.3	60.1	62.1	66.1	68.1	78.9	81.4
	Standby	56.7	58.1	62.7	64.1	74.4	76.0	60.7	63.1	66.7	69.1	79.7	82.6
P65-5	Prime	57.0	58.7	63.0	64.7	74.8	76.7	61.4	64.2	67.4	70.2	80.5	84.0
	Standby	57.3	59.4	63.3	65.4	75.2	77.5	62.1	65.4	68.1	71.4	81.4	85.5
P88-3	Prime	59.2	61.0	65.2	67.0	77.4	79.5	60.6	62.5	66.6	68.5	79.4	81.1
	Standby	59.7	61.8	65.7	67.8	78.0	80.5	61.1	63.4	67.1	69.4	79.8	81.9
P110-3	Prime	65.3	66.0	71.3	72.0	81.8	82.4	65.7	66.7	71.7	72.7	81.9	82.4
	Standby	65.5	66.3	71.5	72.3	82.0	82.7	66.0	67.2	72.0	73.2	82.1	82.7
P150-3	Prime	62.0	62.8	68.0	68.8	80.2	80.8	64.7	65.2	70.7	71.2	83.6	84.1
	Standby	62.0	62.9	68.0	68.9	80.2	80.8	64.8	65.4	70.8	71.4	83.7	84.2
P165-3	Prime	63.6	64.7	69.6	70.7	81.2	81.9	-	-	-	-	-	-
	Standby	63.9	65.2	69.9	71.2	81.4	82.2	-	-	-	-	-	-
P200-3	Prime	66.0	66.2	72.0	72.2	85.3	85.5	-	-	-	-	-	-
	Standby	66.0	66.4	72.0	72.4	85.4	85.6	-	-	-	-	-	-
P220-3	Prime	66.0	66.4	72.0	72.4	85.4	85.6	-	-	-	-	-	-
	Standby	66.1	66.6	72.1	72.6	85.4	85.7	-	-	-	-	-	-

Levels in accordance with European Noise Directive (2000/14/EC).

Dimensions and Weights



Generator Set Model	A: mm (in)	B: mm (in)	C: mm (in)	D: mm (in)	E: mm (in)	F: mm (in)	Weight: kg (lb)	Fuel Tank Fillable Capacity: l (US gal)
Single Phase Models								
P40-3S	2291 (90.2)	1026 (40.4)	1426 (56.1)	–	800 (31.5)	1000 (39.4)	994 (2191.4)	145 (38.3)
P50-5S	2291 (90.2)	1026 (40.4)	1426 (56.1)	–	800 (31.5)	1000 (39.4)	1127 (2484.6)	145 (38.3)
P80-3S	2761 (108.7)	1126 (44.3)	1535 (60.4)	–	800 (31.5)	1000 (39.4)	1495 (3295.9)	212 (56.0)
3 Phase Models								
P33-3	1864 (73.4)	887 (34.9)	1253 (49.3)	1349 (53.1)	880 (34.6)	–	835 (1840.9)	56 (14.8)
P50-3	2291 (90.2)	1026 (40.4)	1426 (56.1)	–	800 (31.5)	1000 (39.4)	1025 (2259.7)	145 (38.3)
P55-3	2291 (90.2)	1026 (40.4)	1426 (56.1)	–	800 (31.5)	1000 (39.4)	1025 (2259.7)	145 (38.3)
P65-5	2291 (90.2)	1026 (40.4)	1426 (56.1)	–	800 (31.5)	1000 (39.4)	1067 (2352.3)	145 (38.3)
P88-3	2291 (90.2)	1126 (44.3)	1426 (56.1)	–	800 (31.5)	1000 (39.4)	1202 (2650.0)	188 (49.6)
P110-3	2761 (108.7)	1126 (44.3)	1535 (60.4)	–	800 (31.5)	1000 (39.4)	1400 (3086.5)	212 (56.0)
P150-3	3511 (138.2)	1126 (44.3)	1681 (66.2)	–	1015 (40.0)	1000 (39.4)	1840 (4056.5)	289 (76.3)
P165-3	3511 (138.2)	1126 (44.3)	1681 (66.2)	–	1015 (40.0)	1000 (39.4)	1840 (4056.5)	289 (76.3)
P200-3	3511 (138.2)	1326 (52.2)	1681 (66.2)	–	1015 (40.0)	1000 (39.4)	2074 (4572.4)	384 (101.4)
P220-3	3511 (138.2)	1326 (52.2)	1681 (66.2)	–	1015 (40.0)	1000 (39.4)	2159 (4759.8)	384 (101.4)

Weight with lube oil and coolant, no fuel.

FG Wilson manufactures product in the following locations:

Northern Ireland • Brazil • China • India • USA

With headquarters in Northern Ireland, FG Wilson operates through a Global Dealer Network.

To contact your local Sales Office please visit the FG Wilson website at www.FGWilson.com.

FG Wilson is a trading name of Caterpillar (NI) Limited.

In line with our policy of continuous product development, we reserve the right to change specification without notice.

30-220kVA CAL Enclosure/1113/GB